

PERMANENT WAY
NOTES

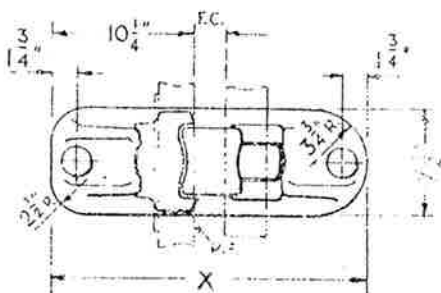
CHAIRS (7)

CHECK CHAIRS
00-00 SEC.

THESE NOTES ARE INTENDED FOR THE GUIDANCE AND ASSISTANCE OF STAFF ENGAGED UPON PERMANENT WAY WORK. THEY DO NOT IN ANY WAY MODIFY, SUPPLEMENT OR AMEND THE INSTRUCTIONS LAID DOWN IN E.D.I. STANDARD DRAWING CIRCULARS ETC. WHICH SHOULD BE REFERRED TO IN ALL CASES.

CC

WT 82 LBS.
APPROX.



F.C.	1 3/4"	7/18"	2"	2 3/16"
X ORD.	1'-9 3/4"	SEE NOTE	1'-10"	1'-10"
X INSULATED	1'-9 3/4"	BELOW	1'-9 3/4"	1'-9 3/4"

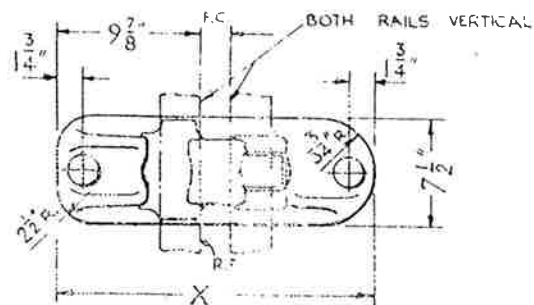
NOTE: A CC 2" CHAIR IS SPECIALLY PLANNED TO GAUGE 178" F.C. & USED BETWEEN THE CC 1 3/4" & CC 2" CHAIRS WHEN GAUGE IS WIDENED ON CHECKED TRACK FROM 4'-5 1/2" TO 4'-8 1/2".

ORDER AS:-
00-00 SEC. CC 1 3/4"
00-00 SEC. CC 2 3/16" INSULATED, ETC.

SN 18857

CC VERT.

WT 82 LBS.
APPROX.



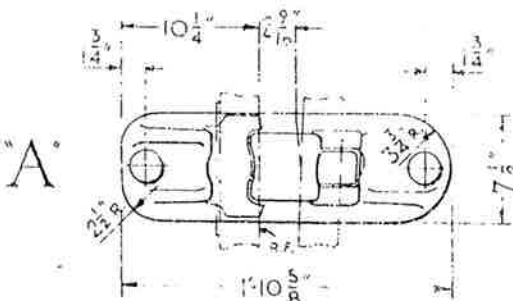
F.C.	1 3/4"	2"	2 3/16"
X	1'-9 3/4"	1'-9 3/4"	1'-10 1/8"

USED IN SHORT ANGLE DIAMONDS (Dvg. R. 2764)

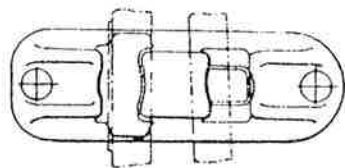
ORDER AS:-
00-00 SEC. CC VERT. 1 3/4"
00-00 SEC. CC VERT. 2" ETC.

CC No. 1

WT. 95 LBS.



"B"



ALSO SUPPLIED INSULATED - WT 87 LBS.

ORDER AS:-
00-00 SEC. CC No. 1 A, ETC.

SN 18753

NOTES

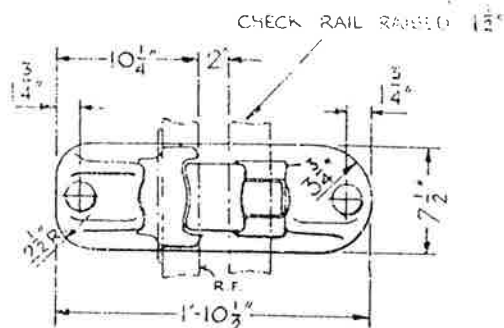
ALL THE CHAIRS ON THIS SHEET ARE ALSO USED FOR B.S. 95 SEC.

THE CHECK RAIL IS ALWAYS VERTICAL. SEATING DEPTH OF RUNNING & CHECK RAIL IS 1 3/4".

HEIGHT OF BOSS ABOVE CHAIR-BASE IS 1 3/8".

CC 2" SP

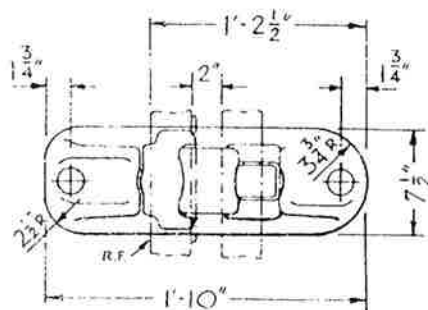
WT. 95 LBS.



USED IN TYPE E(R) CATCHPOINTS (Dvg. R. 3622)

CC 2" CP

WT. 86 LBS.



USED IN TYPE 'D' CATCHPOINTS (Dvg. R. 3427)