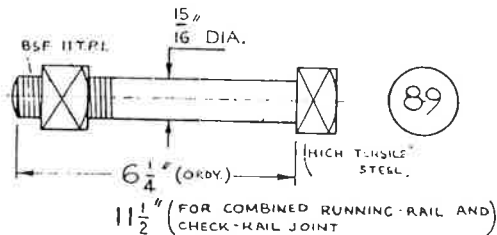


PERMANENT WAY NOTES

BOLTS, ETC. (5)

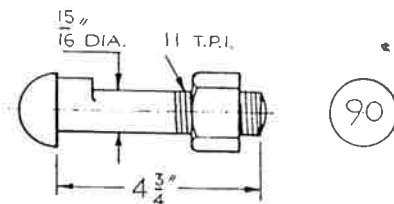
THESE NOTES ARE INTENDED FOR THE GUIDANCE AND ASSISTANCE OF STAFF ENGAGED UPON PERMANENT WAY WORK. THEY DO NOT IN ANY WAY MODIFY, SUPPLEMENT OR AMEND THE INSTRUCTIONS LAID DOWN IN E.D.I., STANDARD DRAWING CIRCULARS ETC., WHICH SHOULD BE REFERRED TO IN ALL CASES.

FISHBOLT FOR NON-FERROUS FISHPLATES



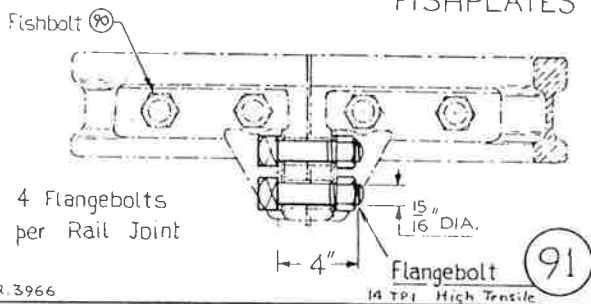
RE/pw/157

FISHBOLT FOR H.W. INSULATED FISHPLATES

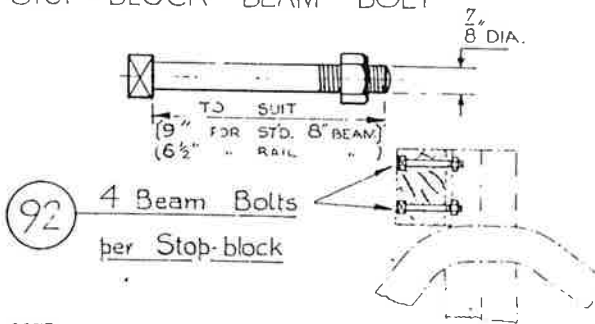


R. 3517

FLANGEBOLT FOR H.W. INSULATED FISHPLATES



STOP-BLOCK BEAM BOLT



COUNTERSUNK BOLT FOR SAND DRAGS.

