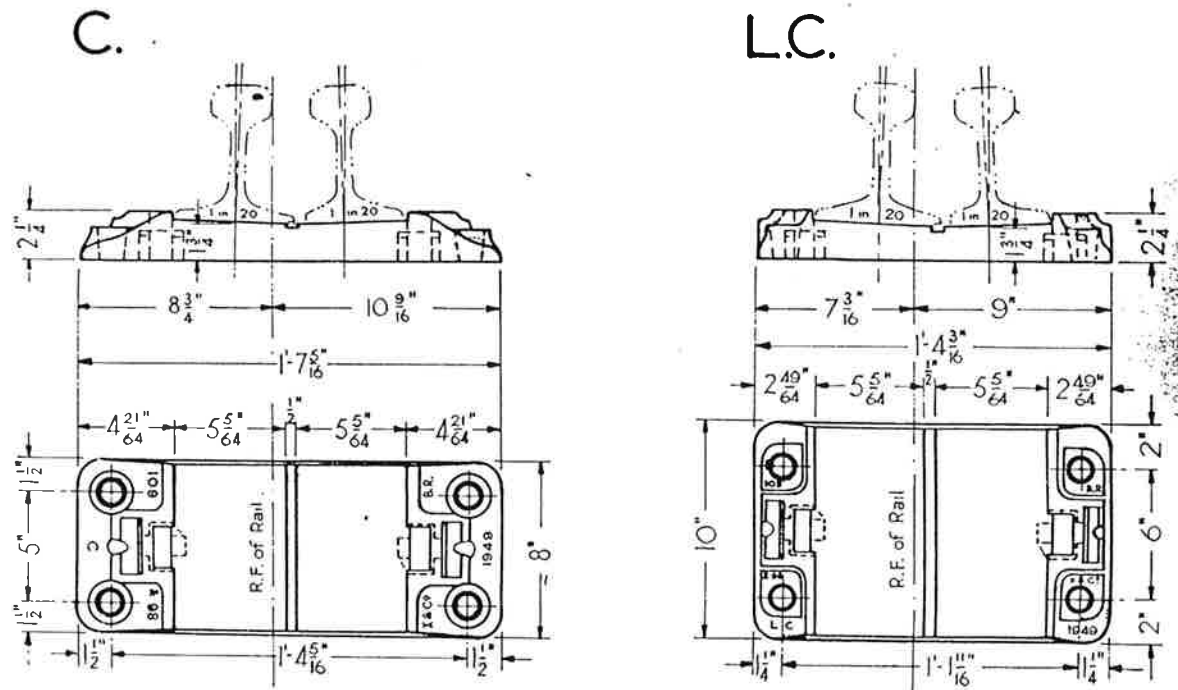


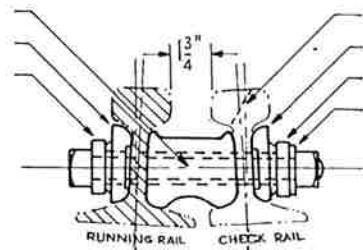
PERMANENT WAY NOTES

BASEPLATES & BLOCKS FOR F.B.109 & 98 LB. CHECK RAILS

THESE NOTES ARE INTENDED FOR THE GUIDANCE AND ASSISTANCE OF STAFF ENGAGED UPON PERMANENT WAY WORK. THEY DO NOT IN ANY WAY MODIFY, SUPPLEMENT OR AMEND THE INSTRUCTIONS LAID DOWN IN E.D.1, STANDARD DRAWINGS CIRCULARS ETC., WHICH SHOULD BE REFERRED TO IN ALL CASES.

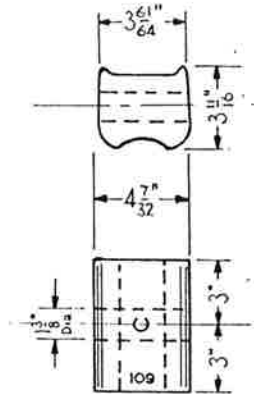


1 1/8" DIAM. BOLT 10 1/2" LONG
UNIVERSAL WASHER
AUXILIARY WASHER

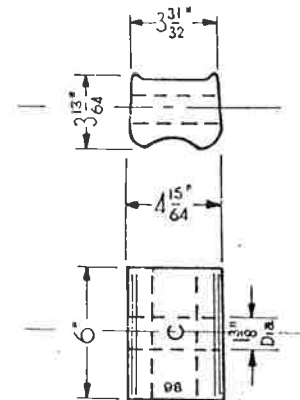


PLANING AT END OF ALL CHECK RAILS.
MAIN WASHER } FORMING UNIVERSAL
AUXILIARY WASHER } WASHER
STANDARD STEEL WASHER

DETAILS OF THE BLOCK ASSEMBLY



BLOCK 109C



BLOCK 98C

(RE/PW/38)