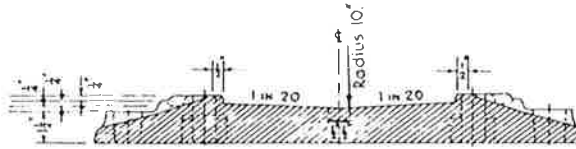


PERMANENT WAY
NOTES

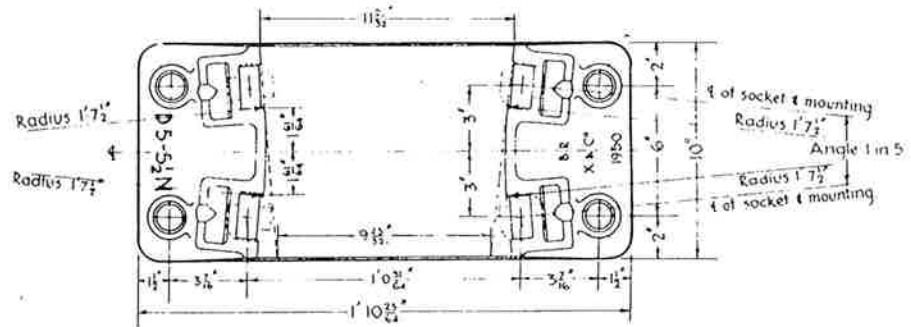
BR.109FB., BS.110A FB. **OBTUSE** [SHEET 2]
& BR.98FB. **CROSSING BASEPLATES.**

THESE NOTES ARE INTENDED FOR THE GUIDANCE AND ASSISTANCE OF STAFF ENGAGED UPON PERMANENT WAY WORK. THEY DO NOT IN ANY WAY MODIFY, SUPPLEMENT OR AMEND THE INSTRUCTIONS LAID DOWN IN E.D.I., STANDARD DRAWINGS CIRCULARS ETC., WHICH SHOULD BE REFERRED TO IN ALL CASES.



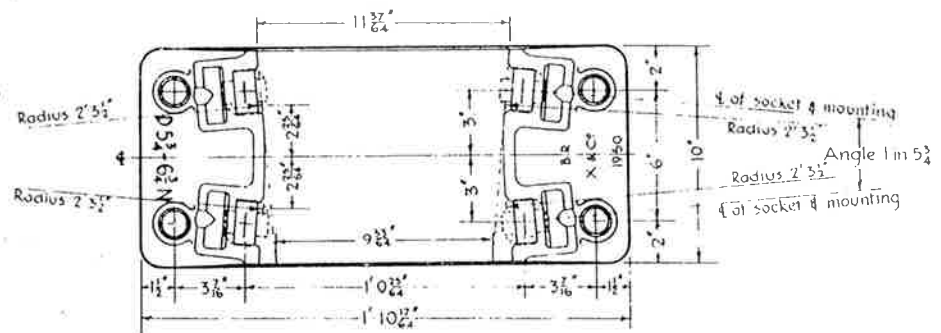
— TYPICAL CROSS-SECTION ON CENTRE LINE. —

D 5-5½N



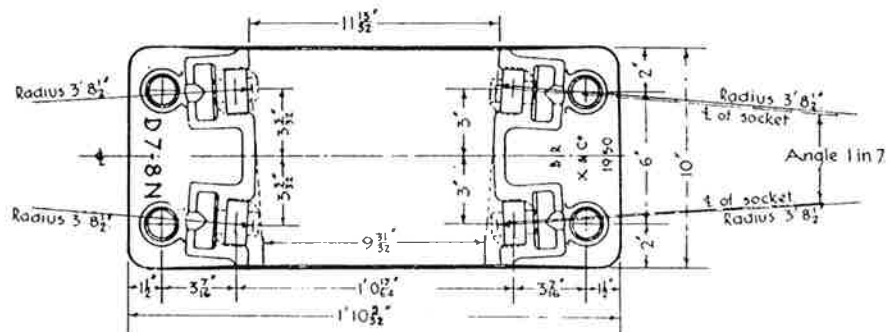
— BASEPLATE D 5-5½N —

D 5¾-6¾N



— BASEPLATE D 5¾-6¾N —

D 7-8N



— BASEPLATE D 7-8N —

FROM R. 8041 (RE/P.W./41)