

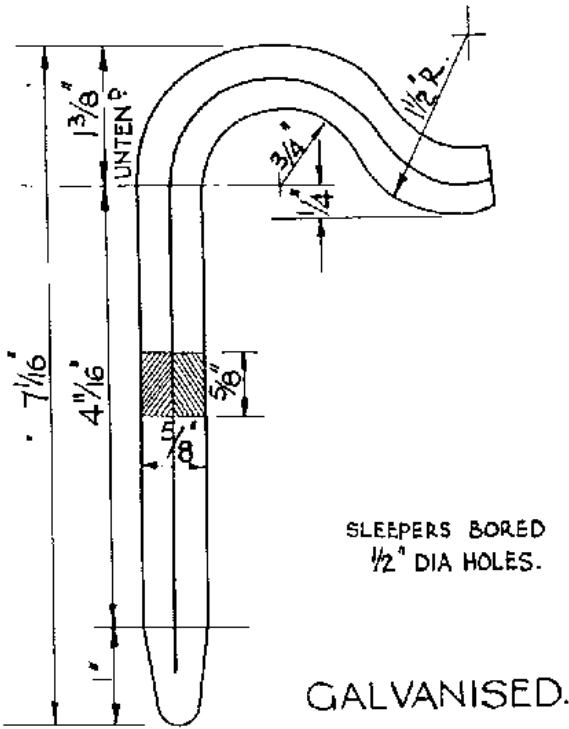
PERMANENT WAY  
NOTES

109 LB. FLAT BOTTOM  
PLAIN LINE FASTENINGS.

THESE NOTES ARE INTENDED FOR THE GUIDANCE AND ASSISTANCE OF STAFF ENGAGED UPON PERMANENT WAY WORK. THEY DO NOT IN ANY WAY MODIFY, SUPPLEMENT OR AMEND THE INSTRUCTIONS LAID DOWN IN E.O.I., STANDARD DRAWINGS, CIRCULARS ETC., WHICH SHOULD BE REFERRED TO IN ALL CASES.

ELASTIC RAIL SPIKES

D.W.



SLEEPERS BORED  
1/2" DIA HOLES.

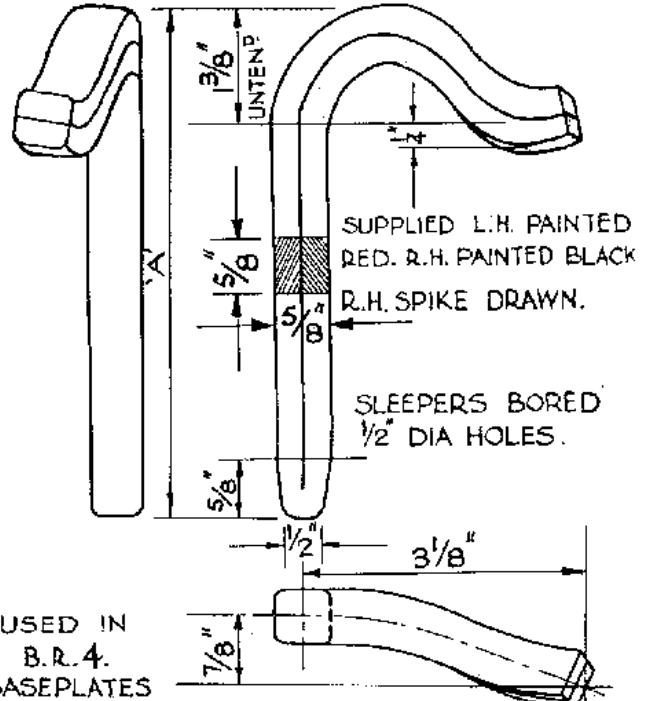
GALVANISED.

USED IN BR1 & BR3 BASEPLATES.

TYPE 'A1'

WEIGHT = 1.08 lb.

TYPE	T <sub>3</sub>	T <sub>4</sub>	T <sub>7</sub>	T <sub>8</sub>	T <sub>13</sub>
'A'	5 1/16"	6 3/16"	6 3/4"	7 3/4"	7 1/4"

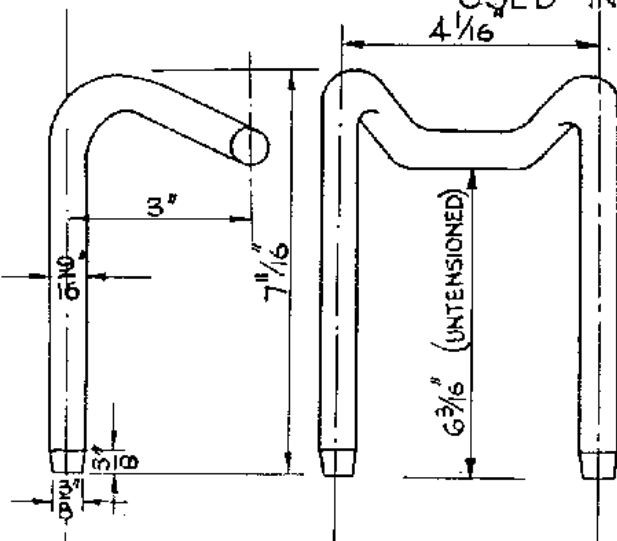


USED IN  
B.R. 4.  
BASEPLATES

TYPE 'T' GALVANISED.

MACBETH SPIKE ANCHORS

USED IN BR2 BASEPLATES.

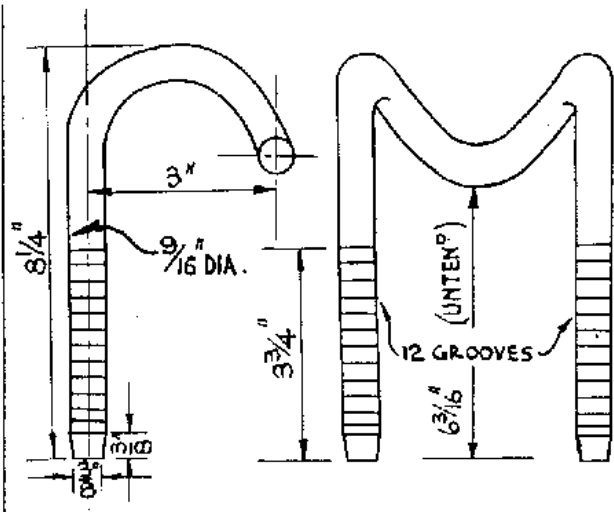


GALVANISED

MACBETH N<sup>o</sup>3

PRE. 1950

SLEEPERS BORED  
7/16" DIA. HOLES.



GALVANISED.

MACBETH N<sup>o</sup>3

SINCE 1950

SLEEPERS BORED  
7/16" DIA. HOLES.

WEIGHT = 1.78 lb.