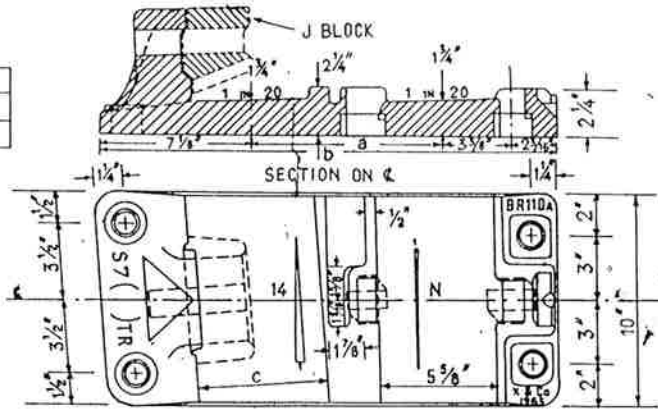


PERMANENT WAY  
NOTES

B.R. 109 FB & B.S. 110A FB  
BASEPLATES FOR SLIPS (3)

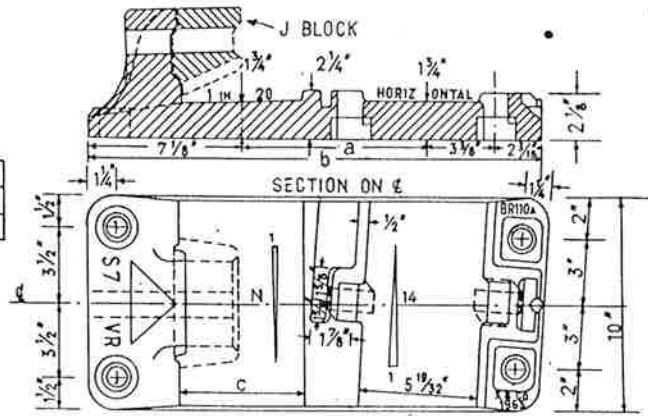
THESE NOTES ARE INTENDED FOR THE GUIDANCE AND ASSISTANCE OF STAFF ENGAGED UPON PERMANENT WAY WORK. THEY DO NOT IN ANY WAY MODIFY, SUPPLEMENT OR AMEND THE INSTRUCTIONS LAID DOWN IN E.D.I., STANDARD DRAWINGS, CIRCULARS ETC. WHICH SHOULD BE REFERRED TO IN ALL CASES.

R <sup>L</sup> S <sup>N</sup>	a	b	c	N
109	8 <sup>3</sup> / <sub>64</sub> "	1'-9 <sup>1</sup> / <sub>64</sub> "	5 <sup>5</sup> / <sub>8</sub> "	59
110 <sup>A</sup>	8 <sup>15</sup> / <sub>16</sub> "	1'-9 <sup>3</sup> / <sub>8</sub> "	5 <sup>3</sup> / <sub>4</sub> "	68



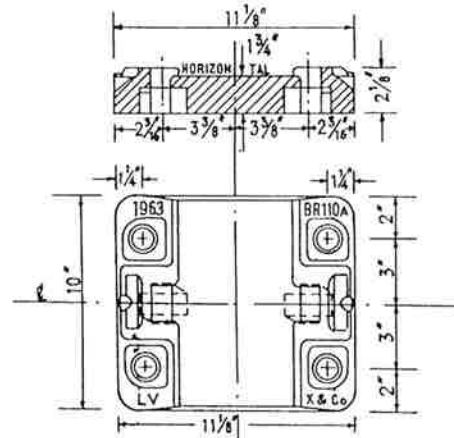
S7TR

R <sup>L</sup> S <sup>N</sup>	a	b	c	N
109	8 <sup>3</sup> / <sub>64</sub> "	1'-9 <sup>1</sup> / <sub>64</sub> "	5 <sup>5</sup> / <sub>8</sub> "	59
110 <sup>A</sup>	8 <sup>2</sup> / <sub>32</sub> "	1'-9 <sup>3</sup> / <sub>8</sub> "	5 <sup>3</sup> / <sub>4</sub> "	68



\* Illustrations & dimensions are for R.H. Baseplates. S7TL, S7VL, S-VL will be mirror reflections

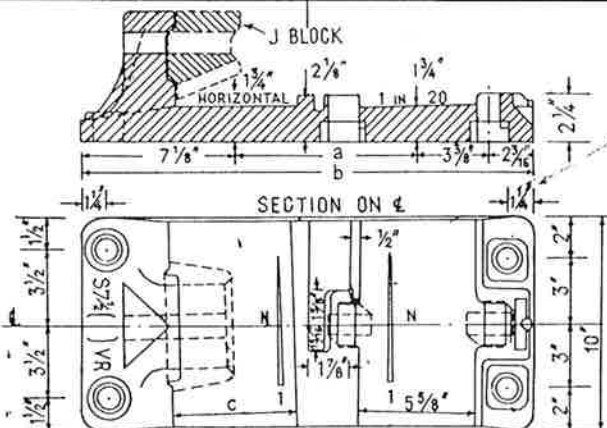
S7VR



LV

R <sup>L</sup> S <sup>N</sup>	Baseplate	a	b	N
109	S7 1/2 VR	8 <sup>3</sup> / <sub>16</sub> "	1'-9 <sup>1</sup> / <sub>64</sub> "	40
109	S8 VR	8 <sup>7</sup> / <sub>16</sub> "	1'-9 <sup>15</sup> / <sub>64</sub> "	42
110 <sup>A</sup>	S7 1/2 VR	8 <sup>1</sup> / <sub>64</sub> "	1'-9 <sup>2</sup> / <sub>64</sub> "	39
110 <sup>A</sup>	S8 VR	8 <sup>7</sup> / <sub>16</sub> "	1'-9 <sup>1</sup> / <sub>8</sub> "	41

R <sup>L</sup> S <sup>N</sup>	c
109	5 <sup>19</sup> / <sub>32</sub> "
110 <sup>A</sup>	5 <sup>3</sup> / <sub>4</sub> "



S-VR

RE/PW/78&212