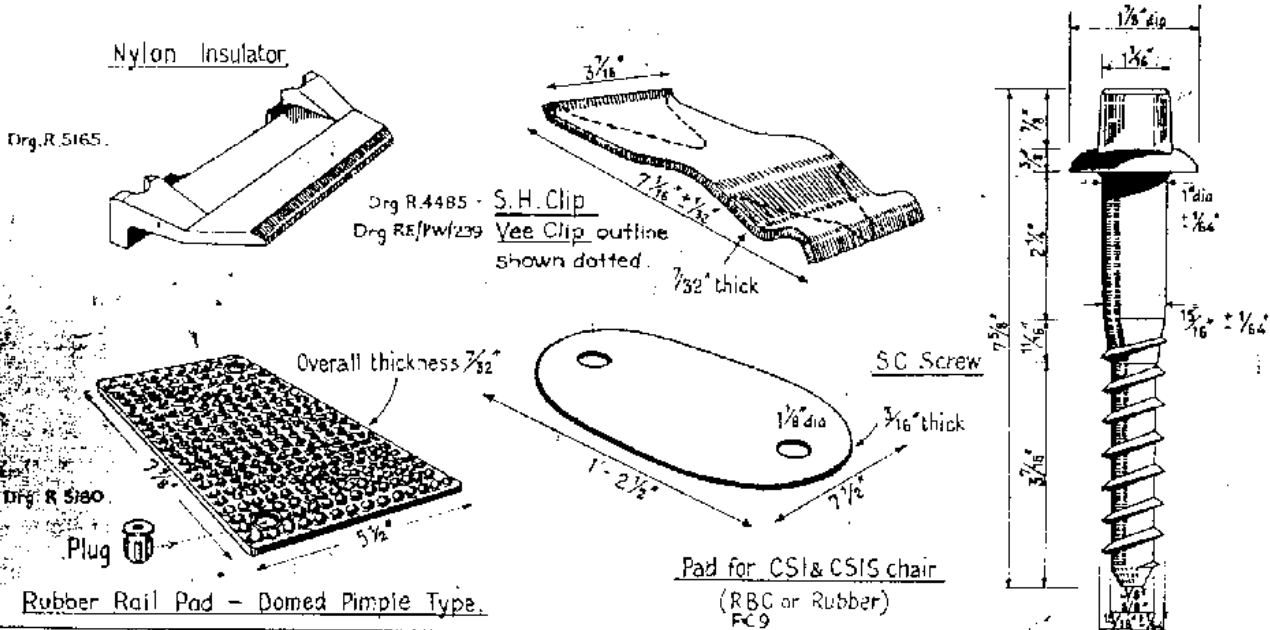


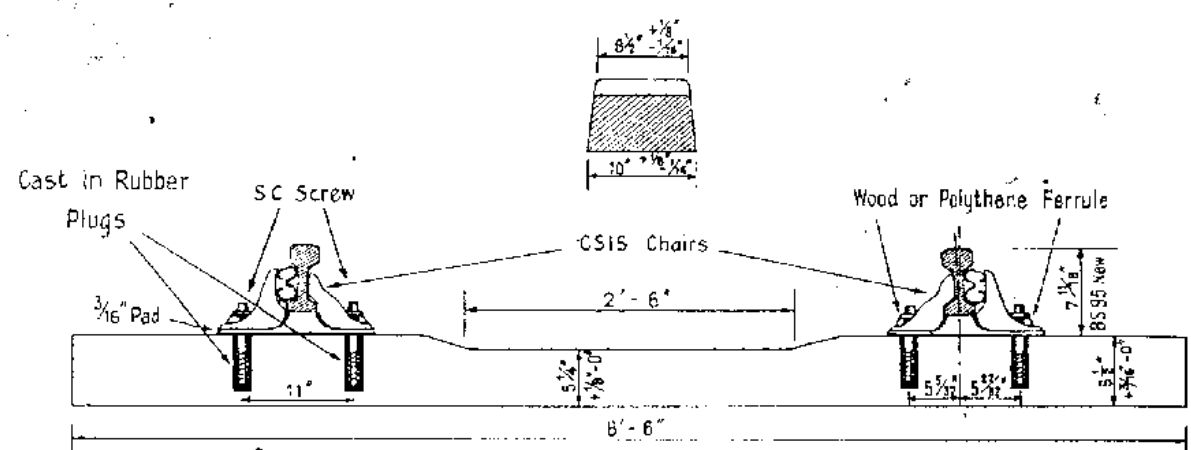
PERMANENT WAY
NOTES

CONCRETE SLEEPERS &
ACCESSORIES

THESE NOTES ARE INTENDED FOR THE GUIDANCE AND ASSISTANCE OF STAFF ENGAGED UPON PERMANENT WAY WORK. THEY DO NOT IN ANY WAY MODIFY, SUPPLEMENT OR AMEND THE INSTRUCTIONS LAID DOWN IN E.D.I., STANDARD DRAWINGS, CIRCULARS ETC. WHICH SHOULD BE REFERRED TO IN ALL CASES.



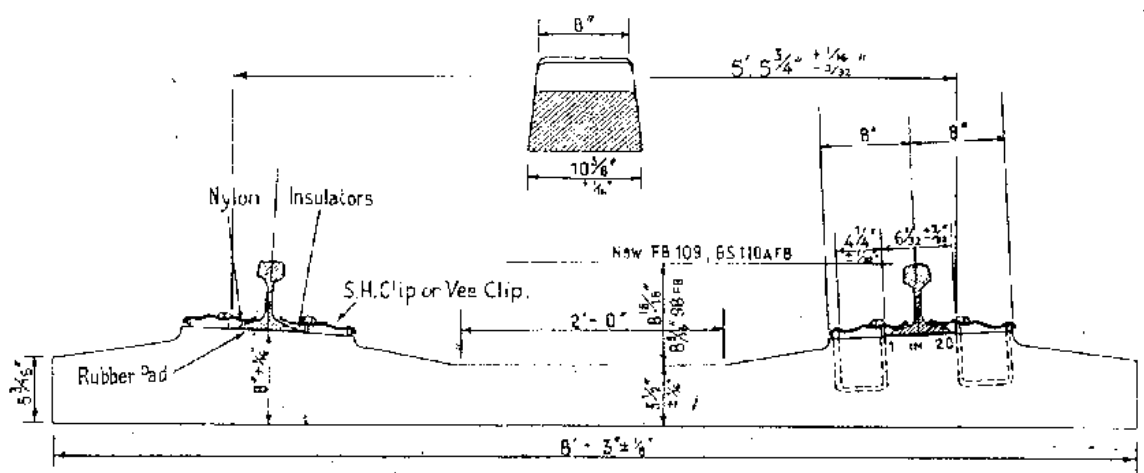
Based on Drawing R.6171



E1 Type concrete sleeper is identical to E4 except that CSI type chairs are used employing chairbolts 8 1/2" x 7/8" dia.

20 Prestressing Wires
For details of CSI & CSIS chairs see P.W. Notes sheet R4290A

E4



For further details see drawing R7115A

26 Prestressing Wires

F1